





marabut®



PRODUKT
POLSKI

ARCO

USER MANUAL

COLOUR:  

-  2-3 persons
-  min. 3,8/3,5kg w/wo apron
-  max. 4,3/4,0kg w/wo apron
-  poliester RIP-STOP 3000mm H₂O
-  UV RESISTANT
-  2 entrances
-  ALU FRAME
-  ALU PINS
-  3 YEAR GUARANTEE

TECHNICAL SPECIFICATIONS:

Flysheet: polyester rip-stop PU „UV Resistant” (3000 mm H₂O)

Sleeping area: polyamide

Floor: PE fabric (10 000 mm H₂O)

Frame: aluminium 7001 T6 ø 9,5 mm

Pins: aluminium 7001 T6

Seams: all taped

Tent capacity: 2 - 3

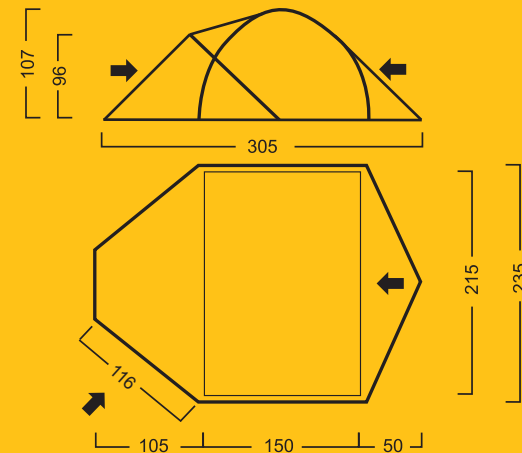
Weight: without aprons: weight min./max. 3.50 kg. / 4.00 kg.
with aprons: weight min./max. - 3.80 kg. / 4.30 kg..

Min. weight = the tent with frame poles

Max. weight = the tent with accessories, e.g. pins, repair kit, guy lines, bag, manual, guarantee.

Dimensions: 305 x 235 x 107 cm (external)
150 x 215 cm (sleeping area)

TENT DIMENSIONS:



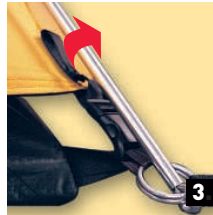
ARCO

USER MANUAL



SETTING UP THE TENT

- Spread out the tent on the ground, not necessarily in the place where you want to set it. Do not fix it with pins to the ground! Fasten the zippers.
- Insert assembled frame poles into the sleeves of the flysheet (**Fig. 1**).
- Slide the tube that ends the upper frame pole onto the pin, which is located on the ring in the corner of the floor. - (**Fig . 3.**) Bend the upper pole to mount its other end in the opposite corner. Similarly mount the other frame pole.
- Stiffen the intersection of the frame poles using the connector (**Fig. 2.**)
- Use the free end of the tensioning tape near the snap buckles to adjust the tension of the flysheet (**Fig.3.**) arrow.
- Tent prepared as described above should be set at the desired location. Stretch the floor and attach it with the pins in the corners, then stabilize the tent using guy lines.



COMPONENTS:

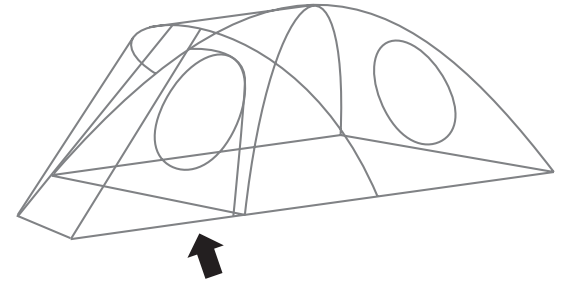
- flysheet and sleeping area (integrated)
- frame (3 frame poles)
- aluminium pins (17)
- guy lines(4)
- bag
- manual
- guarantee

ACCESSORIES

- repair kit: a rope with tensioner, frame repair elements.

AFTER-SALES SERVICES FOR MARABUT TENTS

All our tents are covered by a 3-year guarantee. When buying a MARABUT tent, you can be sure that even after the guarantee period we will quickly and professionally repair any damage. Our after-sales services include attaching snow aprons, replacing worn-out floors and providing spare frame poles.



facebook.com/namioty.marabut



youtube.com/MarabutArco

Marabut Sp z o.o.

ul. Przemysłowa 10, 32-070 Czernichów, Poland
phone: +48 12 270 24 24, namioty@marabut.pl
www.namioty.marabut.com